

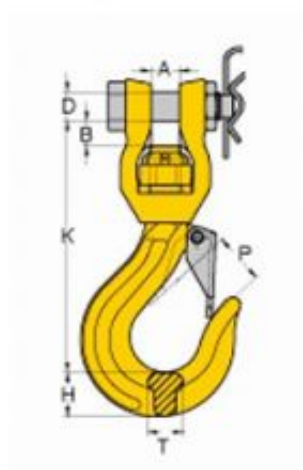
Gr8 Shackle Eye Swivel Hook



Description

Gr8 Shackle Eye Swivel Hook

Swivel Hook



- Test certificates supplied.
- Applications: Chain slings.
- Australian Standard: AS 3776.

Chain Size (mm)	WLL (tonne)	K (mm)	P (mm)	D (mm)	A (mm)	B (mm)	T (mm)	H (mm)	Mass (kg)	Part No	Markings
16.0	8.0	225	54	28	28	28	35	45	5.9	42345	YSW - 16 - 8

™Herc-Alloy, Hammerlok, Couplok, Max A Lok, Latchlok & Pinlok are trademarks of PWB Anchor Limited.

YOKE is a registered trademark of YOKE Industrial Corp used by PWB Anchor Limited with the permission of YOKE Industrial.

Dimensions & Masses subject to commercial tolerances & design changes without notice.

