

## PWB ANCHOR KITO L5



### Description

### **Compact, Light and Tough Frame for Heavy Duty Applications KITO LEVER HOIST Model L5**

Providing solutions in lifting and pulling applications, all models in the PWB Anchor Lever Hoist range can be used in both the vertical and horizontal position, as well as at any other angle, with equal effectiveness. Available in an extensive range of capacities from 750kg to 9 tonne.

#### L5 Lever Hoists

The PWB Anchor L5 Lever Hoist now offers the largest range capacities on the market that best suits your application. New lightweight and compact design for heavy-duty work in the most demanding and rigorous applications, all models feature a patented 'free-wheel safety brake system' and nickel-plated load chain in standard lift heights of 1.5 metres. Optional lift heights also available on request.

Capacity	Part No	Headroom (mm)	Lever length (mm)	Chain dia. (mm)	Chain Falls	Net Weight (kg)
800kg	44202	280	245	5.6	1	5.7

1 tonne	44203	300	245	5.6	1	5.9
1.6 tonne	44204	335	265	7.1	1	8.0
2.5 tonne	44205	375	265	8.8	1	11.2
3.2 tonne	44206	395	415	10.0	1	15.0
6.3 tonne	44207	540	415	10.0	2	26.0
9 tonne	44208	680	415	10.0	3	40.0

### Advantages of the L5

#### Smaller and lighter

Kito's innovative technology makes this new model smaller and lighter than ever before. It's easy to carry and store, and the LEVER BLOCK is much easier to use, even in a narrow working spaces.

#### Nickel-plated chain

Kito's unique R&D produces world-class performance. The grade 100 (1000N/mm<sup>2</sup>) chain, made from a special high strength alloy, features an unbeatable combination of toughness and resistance to corrosion & wear. (For special environments consult your Kito distributor since corrosion resistance varies depending on corrosives involved)

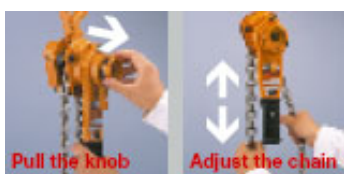
#### Lever Handle

A new shape and thicker material creates a very strong lever handle.

#### Hooks

Hooks are forged from high strength alloy steel allowing the larger capacities – 2 1/2 through 9 ton – to use hooks that are smaller and lighter.

#### Kito's Original Free Chain



Adjusting mechanism Use the Free Knob to quickly and easily adjust the chain. Unique design safeguards against inadvertent freewheeling under load.

Comparison of Model L4 and Model L5 (%-base)

Type	L4	L5	L4	L5	L4	L5	L4	L5
	008	008	015	016	030	025	030	032
Mass (Net weight)	-8.1		-16.7		-27.7		-3.2	
Length of Lever	-7.5		-36.1		-36.1		±0	
Height of Lever Block	-5.9		-6.5		-11.3		-2.3	
Minimum Headroom (distance between hooks)	±0		-4.3		-10.7		-6.0	



**Bottom Yoke with protecting guard**

Features a guard protecting the chain pin & nut from damage, enhancing safety.

**High-strength frame**

High grade alloy steel with solid construction, a patented induction hardening process on the loadsupporting part, and increased material thickness produces an extremely strong and rigid frame.



**Hook Latch with safety mechanism**

Thicker material makes the latch stronger, and engagement with the tip of the hook creates secure closure.



## Cap Nuts

Cap nuts fasten the gear case and brake cover protecting the screw from damage and making maintenance easier.

## Reliable Brake (mechanical brake)

Delivers positive performance thanks to a brake design incorporating two moisture-resistant asbestos-free brake pads and four braking surfaces. Includes two brake pawls for added reliability.

**Capacities range from 0.8 to 9 tons with 2 new capacities that expand the product lineup to 7. Choose the one that best suits your application.**



## Specifications and Dimensions

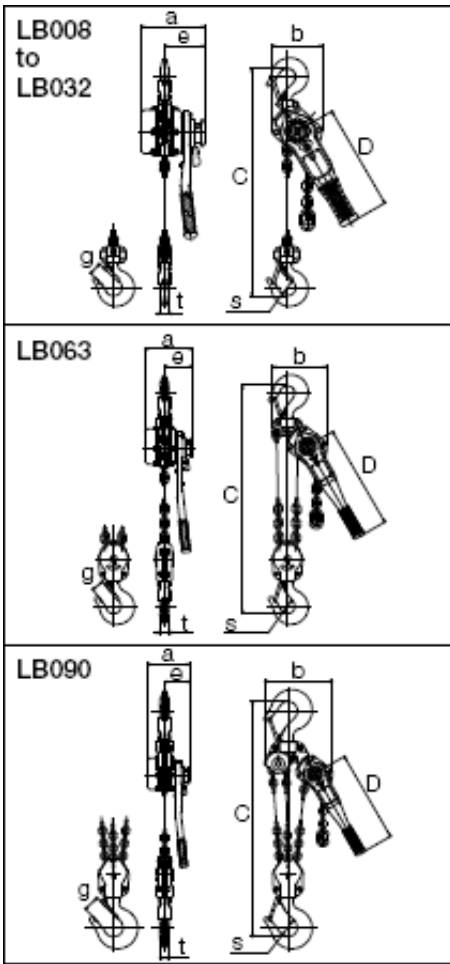
Rated load (W.L.L.)	(t)	0.8	1	1.6	2.5	3.2	6.3	9
Code		LB008	LB010	LB016	LB025	LB032	LB063	LB090
Standard lift	(m)	1.5	1.5	1.5	1.5	1.5	1.5	1.5
Hand-pull to lift full load	(N)	284	353	333	363	363	372	382
	[kg]	[29]	[36]	[34]	[37]	[37]	[38]	[39]
Load chain	(mm)	5.6x1	5.6x1	7.1x1	8.8x1	10x1	10x2	10x3

diameter x chain  
fall

Test load	(kg)	1200	1500	2400	3800	4800	7900	11300
Mass (Net weight) *	(kg)	5.7	5.9	8	11.2	15	26	40
Shipping weight (Approx.)	(kg)	6	6.2	8.3	11.6	16	27	42
Weight for additional one meter of lift	(kg)	0.7	0.7	1.1	1.7	2.3	4.7	7
Dimensions (mm)	a	144	144	159	173	190	190	190
	b	119	119	126	150	159	217	304
	C	280	300	335	375	395	540	680
	D	245	245	265	265	415	415	415
	e	97	97	100	102	112	112	112
	g	23.5	29	32	36.5	39	50	72.5
	s	35.5	42.5	42.5	47	50	60	85
	t	14	15	19	21	24.5	34	41.5

- The load-lifting height can be set according to the user's application. However, no addition to the chain to increase the length is possible as Kito chains are heat treated. When ordering, specify the length of chain in advance or consult your local Kito distributor.
- Lever Blocks with Kito Load signal (overload detection unit) are also available.

\* The mass(Net weight) is for the standard load-lifting height.



## KITO New Pocket-Sized Lever Hoists LX Series

Extremely compact, lightweight, portable design for ease of use in elevated work positions.  
Low hand-pull force for highly reliable pulling and lifting to the last click



### **Kito's original free chain adjusting mechanism**

A required chain length is provided instantly with ease by simply turning the selector lever to "N (neutral)" position.

### **Extremely compact and light**

Kito's innovative technology makes the LX series extremely compact and light. It's very easy to carry, and easy to use, even in tight quarters or in elevated work locations. What's more, it can be conveniently stored in a special carrying case (LX003 only).

### **Maintainability**

Fasteners are designed to protect threads from damage making maintenance easier.

### **Nickel-plated chain**

Kito's unique R&D produces world-class

performance. The grade 100(1000 N/mm<sup>2</sup>) chain, made from a special high strength alloy, features an unbeatable combination of toughness and resistance to corrosion & wear. (For special environments consult your Kito distributor since corrosion resistance varies depending on corrosives involved)

**Minimum headroom (distance) between hooks:** 205mm (LX003)

### **Reliable load-holding performance**

The LX series, designed with a single-step reduction gear, is characterized by a small manual fastening force and assured load holding.

Reliable load fastening can be provided to the last clicking of the lever.

### **Hook latch with safety mechanism**

The hook latch employs tip-supporting structure for guaranteed holding and is highly resistant to deformation and damage.

### **KITO Lever Block LX Series**

Two capacities available – the LX003 has a rated capacity of 250kg, and the LX005 has a rated capacity of 500kg. Extremely compact & light, these LX series hoists are suitable for work in tight quarters or elevated locations where fastening, fixing, or positioning of light loads is required.

### **Specifications and Dimensions**

Rated load (W.L.L.) (kg)	250	500
Code	LX003	LX005
Standard lift (m)	1	1.2
Hand-pull to lift full load (N)[kg]	200 [20]	310 [31]
Load Chain Diameter (mm) x Fall (mm)	3.2x1	4.3x1
Test load (kg)	380	750
Mass (Net weight)* (kg)	1.6	2.6
Shipping weight (Approx.) (kg)	1.8	2.8
Dimensions		
(mm)	a	85.5
	b	99
	c	73.5
	D	205
		150
		180

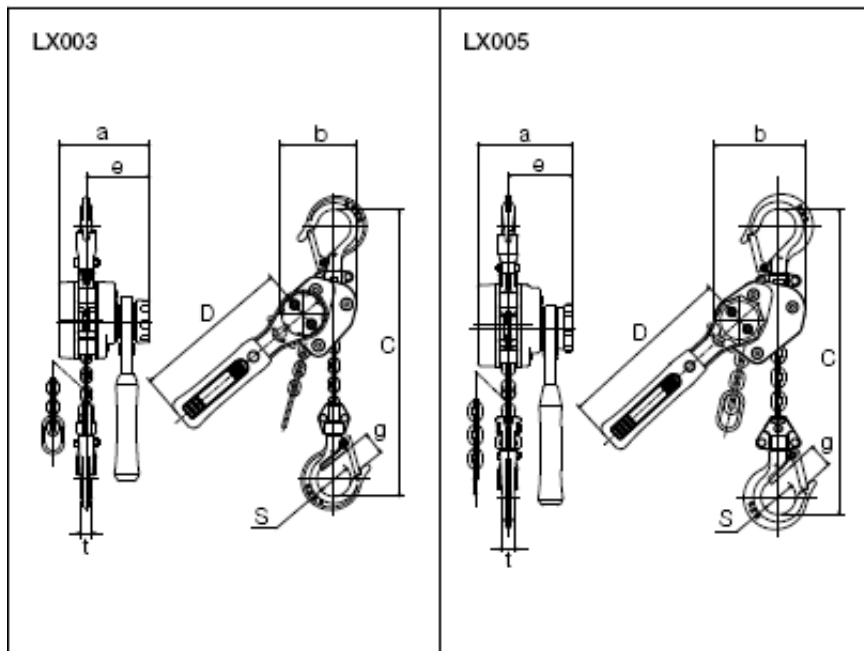


e  
g  
s  
t

60  
21  
32  
11

67  
24.5  
35.5  
12





\* The Mass (net weight) is for the standard load-lifting height.