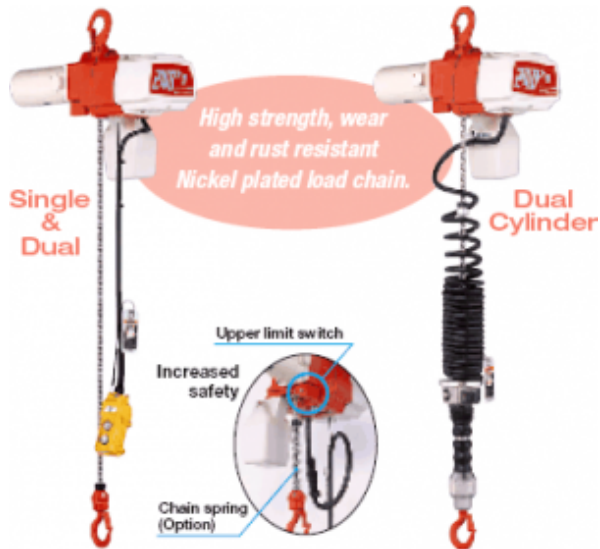
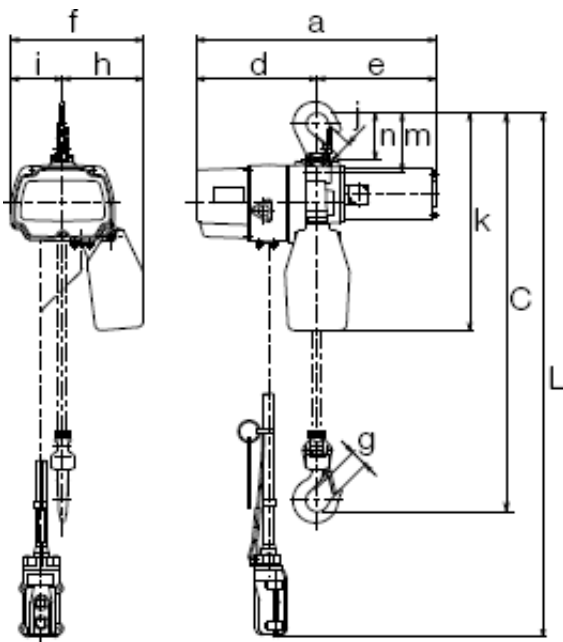


KITO ED Series Single Phase (240 Volt)



Description



- Control: Direct control is standard. Low voltage is available upon request.
- Power supply cable: 2mm 2 x 3 core 5m with grounding wire.
- The lifting speed is equal to the average value of the lifting / lowering speed at the rated load capacity. The speed will vary according to the load.

- Figures in parentheses show the data for 240V(max). • *1:Mass (Net weight) in parentheses are at control voltage 30V.

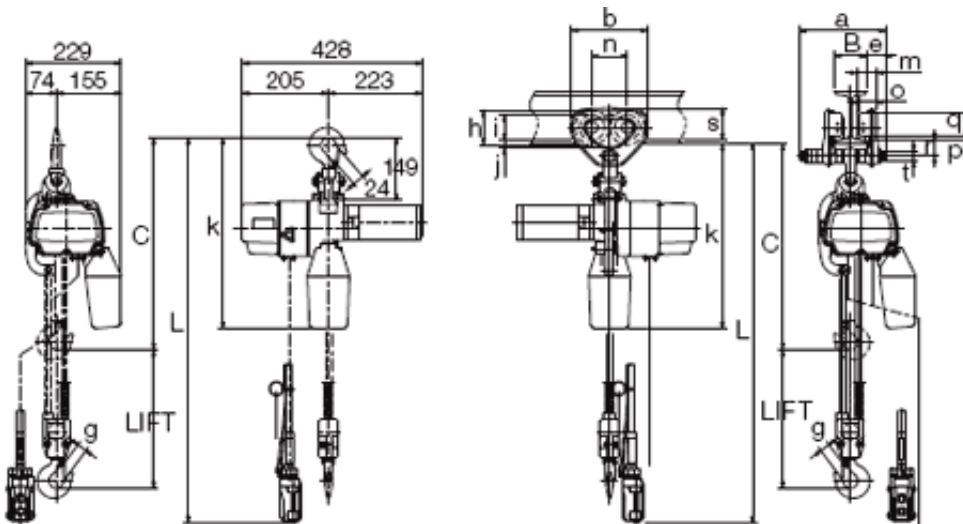
Power Supply Type	240V 50Hz/60Hz											
	Single speed type				Dual speed type				Dual Cylinder type			
Model	EDL	EDL	EDL	EDL	EDL	EDL	EDL	EDL	EDL	EDC	EDC	EDC
	10S	18S	16S	24S	10ST	18ST	16ST	24ST	L	L	L	
									10S	16S	24S	
									D	D	D	
Rated load (kg)	100	180	160	240	100	180	160	240	100	160	240	
Motor output (W)	300		600		300		600		300	600		
Time rating (min)	15(20)	10(15)	20		15(20)	10(15)	20		15(20)	20		
Inter %ED	30	20	30		30	20	30		30	30		
mitte Max.start	180	120	180		180	120	180		180	180		
nt frequency												
duty (Times per hour)												
Rated Current (A)	120	5	6	10	5	6	10		5	10		
V	240	3		5	3		5		3	5		
V	High	13	8	20	13.5	13	8	20	13.5	13	20	13.5
Lifting Speed (m/min)	Low		-	-	-	3	3	4	3	3	4	3
Standard Lift (m)	3				3				1.8			
Push button cord length: L(m)	2.5				2.5				-			
Load chain diameter (mm)	4				4				4			
Mass (Net weight) (kg)	11.5(12)*1		15.5(16)*1		12(12.5)*1		16(16.5)*1		14.5(15)*1	18.5(19)*1		
Min.distance between hooks:C(mm)	315	330		315		330		945	960			
Dimension a (mm)	371 (364)		428		371 (364)		428		371 (364)	428		
d	187		205		187		205		187	205		

e	184 (177)	223	184 (177)	223	184	223
					(177)	
f	205	219	205	219	205	219
h	125	135	125	135	125	135
i	80	84	80	84	80	84
g	25		25		25	
j	25		25		25	
k	340	362	340	362	340	362
m	92		92		92	
n	73		73		73	

Specifications and dimensions are subject to change without notice.

ED III SERIES SINGLE-PHASE 240V

New Capacity 480kg





- *1: Connected with Plain trolley (Geared trolley is also available on request)
- *2: Mass (Net weight) in parenthesis are at Low voltage control 30V.
- W.L.L.: Indicates maximum mass (working load limit) which a hoist is designed to support in general service.
- Control: Direct control is standard. Low Voltage is available upon request.
- Power supply cable: 2mm 2 x 3 core 5m with grounding wire.
- The lifting speed is equal to the average value of the lifting/lowering speed at the rated load. The Lifting speed will vary according to the load.

Power Supply Type Model	Single Phase 240V 50Hz/60Hz			
	Single speed		Dual speed	
	ED48S	ED48S+PT *1	ED48ST	ED48ST+P T*1
W.L.L. (kg)	480			
Motor output (W)	600			
Time rating (min)	15			
Intermittent %ED	30			
duty	Max. start frequency (Times per hour)			
Rated	120V	10		

current (A)	240V	5			
Lifting speed	High	6.7			
(m/min)	Low	-		2	
Standard Lift (m)		3			
Push button cord length L (m)		2.5			
Load chain diameter (mm)		4			
IP (Degree of protection)		IP54			
Mass (Net weight) *2 (kg)		21(21.5)	25(25.5)	21(21.5)	25(25.5)
Minimum distance C (mm)		520			
Flange width adjustability		-	50 to 102	-	50 to 102
B (mm)					
Minimum radius for curve (mm)		-	1100	-	1100
Dimension	k	454			
(mm)	g	24			
	a	-	204	-	204
	b	-	182	-	182
	e	-	46	-	46
	h	-	82	-	82
	i	-	60	-	60
	j	-	19	-	19
	s	-	76	-	76
	m	-	47.5	-	47.5
	n	-	84	-	84
	o	-	42	-	42
	p	-	10	-	10
	q	-	54	-	54
	r	-	38	-	38
	t	-	22	-	22

Specifications and dimensions are subject to change without notice.