

Pallet Inverter TPQ20D



Description



The TPQ20D Pallet Inverter is designed for the safe and effortless rotation of pallet loads where efficient exchange of pallets or inversion is required, eliminating the need for manual unloading/loading.

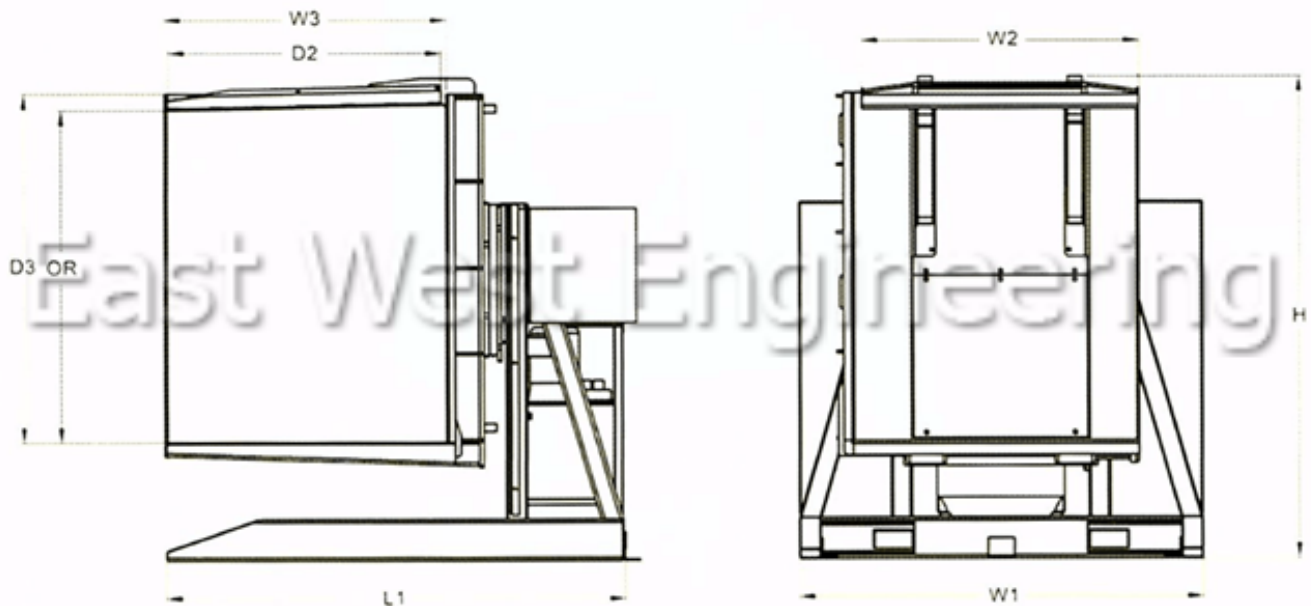
Features:

- Used to efficiently invert loads allowing exchange of pallets or inversion
- Allows transfer of boxed, bagged or canned goods to pallet or slip-sheet, freezer space removal, damaged carton/goods replacement
- Ideal for food manufacturing, biochemical and pharmaceutical application requiring 'clean room' compliant steel or plastic pallets used in processing area
- Manual or semi-automatic sequencing control
- Manual pressure adjustment system
- 15 second rotation time
- 18 second clamp time, full travel

- Optional safety light curtain available on request
- 3 phase + neutral 415V/20A power supply

Working Load Limit (WLL)	2000kg @ 650mm LC
Pallet Inverter Dimensions	2120 x 2660 x 2466mm
Platform Size	1300 x 1300mm
Fixed Stabiliser Size	1330 x 1700mm
Opening Range	920 – 1600mm
Rotation	±180°
Unit Weight	2700kg
Pressure (Bar)	16 Mpa
Hydraulic Flow	20L/min
Motor Size	7.5kW

Diagram



Product Gallery

