

Dirt Bucket Hydraulic DBHS2



Description



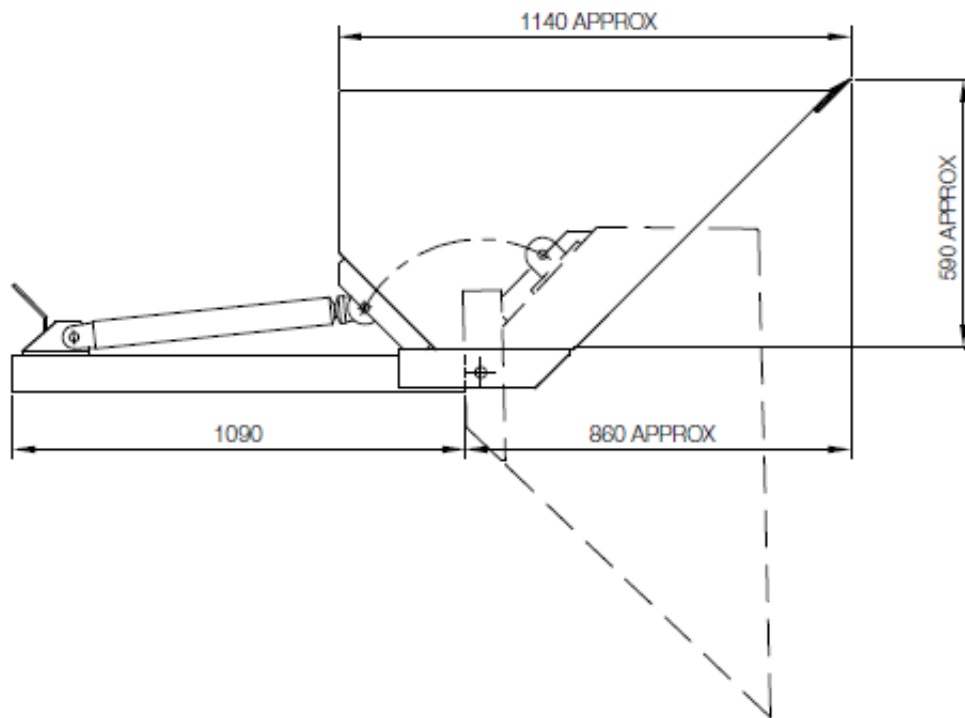
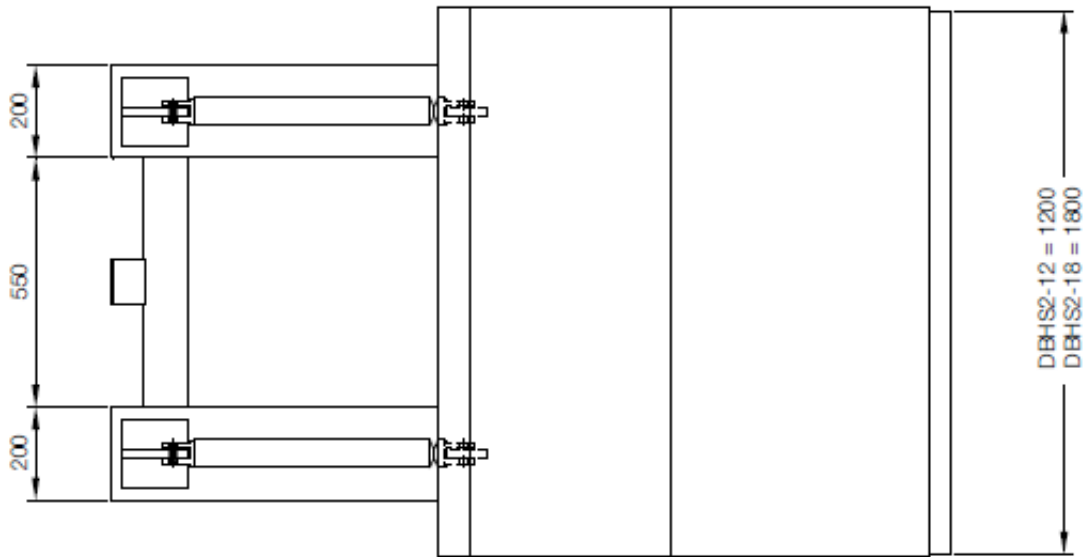
The DBHS2 Hydraulic Dirt Bucket is designed for use as a tip-up bin for waste handling or excavation and transport of loose material.

Features:

- Hydraulic operation allows full backwards tilt suited for handling liquids
- Slip-on base frame and 'Quick Connect' hydraulic couplings for fast attachment to a forklift
- Hardened steel wear edge ensures long life
- Zinc finish

Model	Working Load Limit (kg)	Capacity (cu.m)	Bucket Width (mm)	Unit Weight (kg)	Fork Pockets (mm)	Fork Pocket SizeCentres (mm)
DBHS2-12	1000	0.5	1200	290	185 x 65	750
DBHS2-18	1000	0.9	1800	366	185 x 65	750

Diagram



Product Gallery

